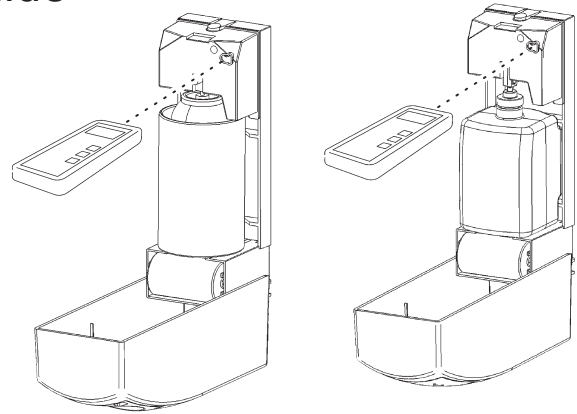


V35 Remote Control Set Up Guide

Version V4 Jun 2008

For Autosan, Airomist Dispensers using the V35 Remote Control



The V35 Remote Control is used to set and check the activation interval, start & stops and clock on your Digital Dispenser. This is a bi-directional control system which means data is transferred TO and FROM the wall mounted dispenser including the Digital Dispenser battery voltage. The V35 always retains the "master time".

DEFAULT OPERATION

Without any uploaded settings the Digital Dispenser will commence a default operation when the "D" batteries are fitted. The default program gives one activation every 15 minutes for 9 hours from time the batteries are fitted. This cycle will continue each day. To change the start time without the remote control, insert the batteries at the desired start time.

DEFAULT Indication - Green light will blink every 2 seconds. The Digital Dispenser in this state is not programmed or initialized.

LIGHT (LED) INDICATORS

NORMAL Indication – Green light will blink every four seconds

LOW BATTERY Indication – Green light double blinks every 2 seconds.

BATTERIES

Digital Dispenser:

New Installation. Fit 2 x alkaline D cells. Programs are lost when D cells are removed.

Digital Dispenser:

Existing Installation. Download the settings before changing batteries. Upload settings after fresh batteries are replaced. Replace Digital Dispenser batteries if the voltage is 2.5 volts or less.

V35 Remote Control:

Fit 2 x alkaline AA cells into the battery cavity and set clock (Step 1)

Setting Up and Operation

REMOTE CONTROL TIME

20 : 55 : 45
RCT : ???

Display shows the "Remote Control" time and day - 20:55:45 (8:55PM). SETTING REMOTE CONTROL CLOCK (Blinks in edit mode) To alter the time and day on the REMOTE CONTROL push SET four times. The hour character will start blinking. Edit with UP and DOWN. Push SET to set. Edit minutes and seconds in the same way. Edit DAY as necessary. Push SET

RECEIVE AND DISPENSER VOLTAGE

RECEIVE
?.? VOLTS

For new dispenser set-up, skip this window and go to MINUT and DAYS . This window is used to download settings from a dispenser. e.g. ON & OFF times, activation interval, operational days and battery voltage. To download – go to RECEIVE point the remote control unit toward dispenser (toward green light) and push SET. Successful download sounds "beep, beep". A single "beep" is unsuccessful. If a dispenser is uninitialized (has no settings) the display goes to SEND. Settings must be uploaded before a RECEIVE can be done. When dispenser battery voltage is under 2.7 volts the green light will give double blinks and the voltage reading on the remote control unit will blink. Re-new D cell batteries. Replace batteries if the voltage is 2.5 volts or less.

PRESETS (if installed)

PRESETS ??

Select operating settings from the PRESET Chart. Push SET to turn on. Scroll to PRESET? Push SET. Scroll to adjust PRESET. Push SET to save. Point at dispenser and push SET to send (upload settings). Beeps twice if successful. A single "beep" in unsuccessful.

ACTIVATION INTERVAL AND DAYS

?? MINUT
?? DAYS

Blinks in edit mode.

1. MINUT (Activation Interval Option: 1 to 30 minutes) To alter, push SET. Edit with UP & DOWN and push SET.
2. DAYS (Desired operational days in the week) To alter push SET. Edit with UP & DOWN and push SET. Week commences on Monday, ends Sunday.

START AND STOP TIME

ON ?? : ??
OFF ?? : ??

Blinks in edit mode.

1. ON. Daily start time. To alter push SET. Edit with UP & DOWN & push SET.
2. OFF. Daily finish time. To alter push SET. Edit with UP & DOWN & push SET.

DISPENSER TIME & DAY

CLK ?? : ??
DAY:

DISPENSER TIME & DAY

Indicates the dispenser time and day setting after "RECEIVE". See RECEIVE AND DISPENSER VOLTAGE. Note: "Dispenser time" is automatically adjusted the to the "Remote Control unit time" with "SEND".

SEND SETTINGS TO DIGITAL DISPENSER

SEND

SENDS or uploads new settings to dispenser. Use only if a change is necessary or to correct time (CLK). If correcting time make sure ON, OFF, MINUT and DAYS are desired settings. Point at dispenser (green light). Push SET to transmit (upload settings). Beeps twice if successful. A single "beep" in unsuccessful.

TESTING AND ACTIVATING THE DISPENSER WITH THE REMOTE CONTROL

TEST

Point at dispenser and push SET. The unit will immediately activate every time SET is pushed. If the unit does not activate move remote control closer to the dispenser. Alternately push "TEST" button on the Digital Dispenser.

Calculate Interval

$$\text{Activation Interval} = \frac{(\text{Total Operational Minutes})}{\text{HR} \times \text{DAYS} \times \text{WKS} \times 60}$$

activation's in can or bottle

HR = operational hours in day
 DAYS = operational days in week
 WKS = # service cycle weeks

DAY CODE	
1	Monday only
2	Mon, Tue
3	Mon, Tue, Wed
4	Mon, Tue, Wed, Thu
5	Mon, Tue, Wed, Thu, Fri
6	Mon, Tue, Wed, Thu, Fri, Sat
7	Mon, Tue, Wed, Thu, Fri, Sat, Sun