

# V35 Quick SetUp

# F&C Aerosol & Sanitiser Dispensers

V3 JUNE 2008

**1**

**Get dispenser ready** for Set Up (programming)

1. Place batteries in dispenser. Green Led will blink every four seconds when ready to go.

FINISHED – GO TO 2 (STANDARD OR PRESET)

**2**

**STANDARD SET UP. Enter settings** into the V35 Remote Control.

1. Push **SET** to turn V35 on.
2. Scroll **↓** to MINUT/DAYS.
3. Push **SET** to adjust MINUT (minutes)
4. Scroll **↓↑** to adjust. Push **SET** to save.
5. Scroll **↓↑** to adjust DAYS. Push **SET** to save.
6. Scroll **↓** to ON/OFF – Push **SET** to adjust.
7. Scroll **↓↑** to adjust HOUR (ON). Push **SET** save.
8. Scroll **↓↑** to adjust MINUTES (ON). Push **SET**.
9. Scroll **↓↑** to adjust HOUR (OFF). Push **SET**.
10. Scroll **↓↑** to adjust MINUTES (OFF). Push **SET**.

FINISHED – GO TO 3

**PRESET SET UP.** Select operating settings from the PRESET Chart.

1. Turn on V35 – Push **SET**
2. Scroll **↓** to **PRESET??**
3. Push **SET**
4. Scroll **↓↑** to adjust PRESET. Push **SET** to save.

FINISHED – GO TO 3

**3**

**Transmit** (V35 Remote Control) settings to the dispenser.

1. Scroll **↓** to **SEND – POINT AT DISPENSER**. Transfer distance can vary from 100 to 500mm
2. Push **SET** to SEND settings to the dispenser.  
Successful transfer – Audio – Beep, beep.  
Unsuccessful transfer – Audio - One Beep. (Move closer or change angle. Try again)

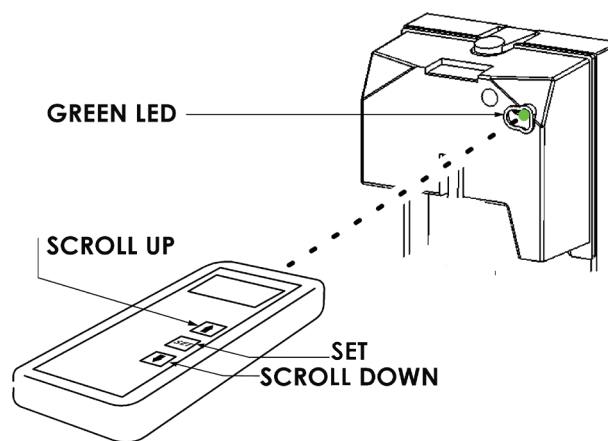
FINISHED – GO TO 4

**4**

**Test Dispenser** – Activate a spray or pump

1. Scroll **↑** to **TEST** on V35.
2. Point V35 at dispenser.  
Push **SET** to activate/test.

**SET UP IS COMPLETE** Note: Use this V35 SetUp to quickly programme all other dispensers in this install. Sanitiser dispensers have different set ups to aerosol dispensers.



## PRESET CHART

PRESET No.	PRESET CODE	ON	OFF	MINUT	DAYS
1	6000-F-7	06:00 AM	18:00 PM	4	7
2	6000-E-7	06:00 AM	18:00 PM	7	7
3	6000-S-7	06:00 AM	18:00 PM	14	7
4	6000-F-5	06:00 AM	18:00 PM	3	5
5	6000-E-5	06:00 AM	18:00 PM	5	5
6	6000-S-5	06:00 AM	18:00 PM	10	5
7	ASAN-F-7	04:00 AM	20:00 PM	7	7
8	ASAN-E-7	04:00 AM	20:00 PM	14	7
9	ASAN-T-7	04:00 AM	20:00 PM	21	7
10	ASAN-F-5	04:00 AM	20:00 PM	5	5
11	ASAN-E-5	04:00 AM	20:00 PM	10	5
12	ASAN-T-5	04:00 AM	20:00 PM	16	5
13	9000-F-7	06:00 AM	18:00 PM	3	7
14	9000-E-7	06:00 AM	18:00 PM	5	7
15	9000-S-7	06:00 AM	18:00 PM	10	7
16	9000-F-5	06:00 AM	18:00 PM	2	5
17	9000-E-5	06:00 AM	18:00 PM	4	5
18	9000-S-5	06:00 AM	18:00 PM	7	5

Preset No: Scroll #  
 Preset Code: Fresh & Clean Code  
 ON: Dispenser Start time  
 OFF: Dispenser Stop time  
 MINUT: Time between sprays or pumps (Minute) Interval  
 DAYS: 5 = Monday to Friday 7 = Monday to Sunday